

## Troubleshooting:

### Automatic Shutdown:

• When the battery level is low, the built-in protection system activates. The speaker will emit three beeps before shutting down automatically. Recharge the device for at least 4 hours before using it again.

### Cannot Play Music:

If the speaker cannot read your music files, ensure that the files are stored in the root directory of the USB flash drive or memory card.

### No Sound When Connecting to a Computer:

• If no audio is heard, verify that your computer's audio output device is set to the speaker.

### No Response or Malfunction:

• If no audio is heard, verify that your computer's audio output device is set to the speaker.

### Resetting the Device:

• If the speaker behaves abnormally, short-press the Reset button to restore normal operation.

## Technical specifications:

- **Maximum power:** 100W (50W + 15Wx2 + 10Wx2)
- **Frequency effect:** 80Hz - 15KHz
- **Drivers:** 2x 2,5" tweeter, 2x 3" midwoofer & 1x 5" woofer
- **Battery Type:** 15600mAh (2600mAh\*6)
- **Playing time:** 6 - 8 hours
- **Charging time:** 6 - 8 hours
- **WirelessTransmission distance:** 10m
- **Wireless Version:** 5.1
- **Max. Radio Equipment Power:** 4dBm
- **Radio Equipment Frequency:** 2402-2480MHZ
- **Function:** TWS wireless connection
- **Dimensions:** 507 x 188 x 223 mm
- **Weight:** 5 kg

**Accessories:** User Manual, Strap, USB Charging Cable, 3.5mm Audio Cable

## CE DECLARATION OF CONFORMITY

### Radio equipment and telecommunications terminal equipment, Directive 2014/35/EU

Crystal Audio hereby declares that the product, Groove 100, is in conformity with provisions of the Directive 2014/53/EU. The complete text of the Declaration of conformity can be found on the following webpage:

<https://www.damkalidis.gr/downloads>

### Warranty:

The product has 2-years warranty starting from the purchase date and is only valid with the proof of purchase (receipt or invoice). The warranty covers only the repair or replacement of the device and is effective only in Greece.

**Damkalidis S.A.** 44 Zefyrou str., P. Faliro, Greece

Designed in Europe by Crystal Audio-Assembled in China with the highest quality standards.



# CRYSTALAUDIO

User Manual

## Groove 100

Portable Speaker



Please read this manual carefully and save it for a future reference.

#### Caution:



The lightning flash within an equilateral triangle is intended to alert you to the presence of uninsulated dangerous voltage within the product's enclosure that may be of sufficient magnitude to constitute an electric shock to a person or persons.



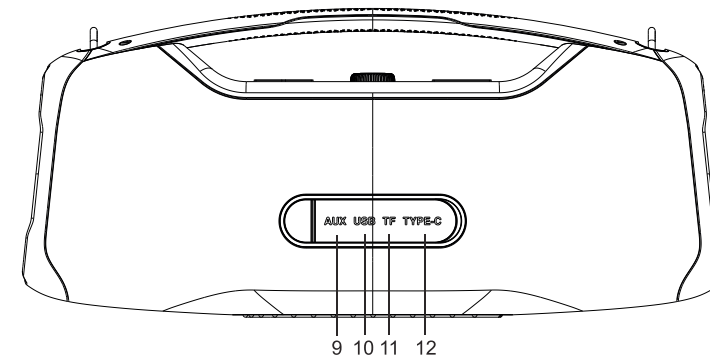
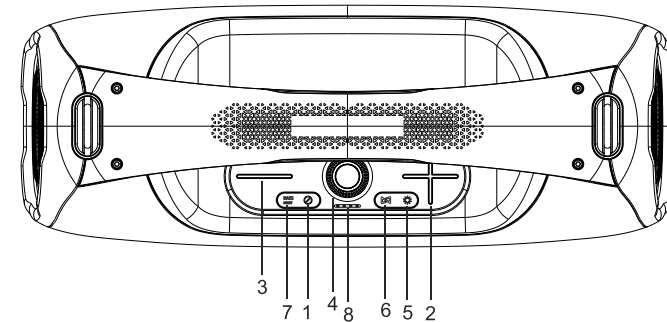
Important! This symbol alerts you to read and observe important warnings and instructions on the unit or in this manual.

#### Features:

- Wireless connectivity
- Memory feature that allows the device to resume from where it last stopped
- Supports Wireless, USB flash drive, Memory card, and AUX playback modes
- Removable lithium-ion battery
- IPX6 waterproof rating - resistant to rain, humidity and moisture
- Supports MP3 audio decoding
- High-fidelity speaker drivers for natural, detailed sound
- 1+1 Groove 100 stereo pairing (TWS)

#### Buttons/Controls:

- 1. Power (On/Off) button**  
Long press: Turn speaker on/off  
Short press: Play/Pause
- 2. + Button:** Short press: Next track
- 3. - Button:** Short press: Previous track
- 4. Rotating Knob**  
Rotate right to increase volume or left to decrease volume
- 5. Light indicators**  
Short press: Switch light mode  
Long press: Turn light on/off  
Double press: Connect/disconnect Wireless
- 6. TWS Button (Connect 2 speakers)**  
Short press: Connect/disconnect TWS  
Long press: Switch Wireless /USB/TF/AUX modes
- 7. Bass Boost Button**  
Short press: Outdoor Mode (1 beep)  
Short press: Indoor Mode (2 beeps)  
Short press: Karaoke Mode (3 beeps)
- 8. Power Indicator**
- 9. AUX Port (3.5mm)**
- 10. USB Port** – Auto playback when USB is inserted
- 11. Card Slot** – Auto playback when card is inserted
- 12. Type-C Port** – Charging port



#### Usage Instructions:

- **Wireless Connection:** Power on and search for "Groove 100" on your device.
- **Wireless Connection Indicators:**
  - o **White (fast flashing):** Searching (0.5s)
  - o **White (steady):** Connected
- **Charging Indicator:** Lights move left to right
  - o **Fully Charged:** All lights steady
  - o **Playback:** light flashes slowly, about once per second.
- **Mode Switching:** Wireless → TF Card → USB → AUX
- **Default Volume:** 70% on power-on
- **Auto Power Off:** After 15 minutes of inactivity
- **TWS Function:** Requires 2 Groove 100 speakers. Works only on wireless mode